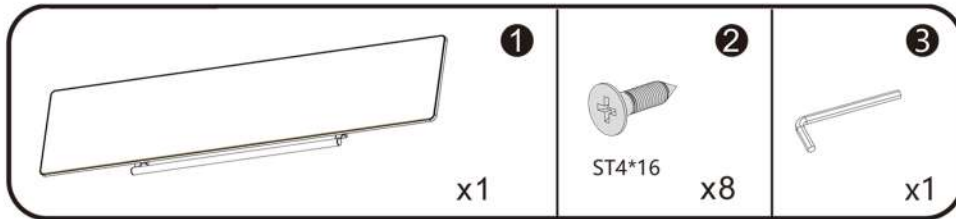


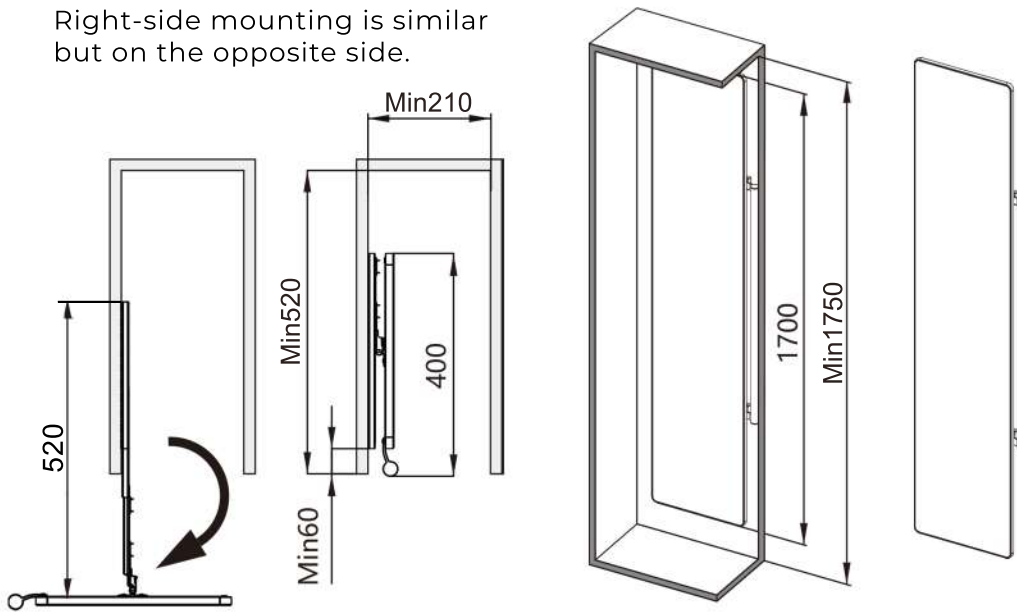
HG-706161-2374, HG-706161S-2375

Parts List



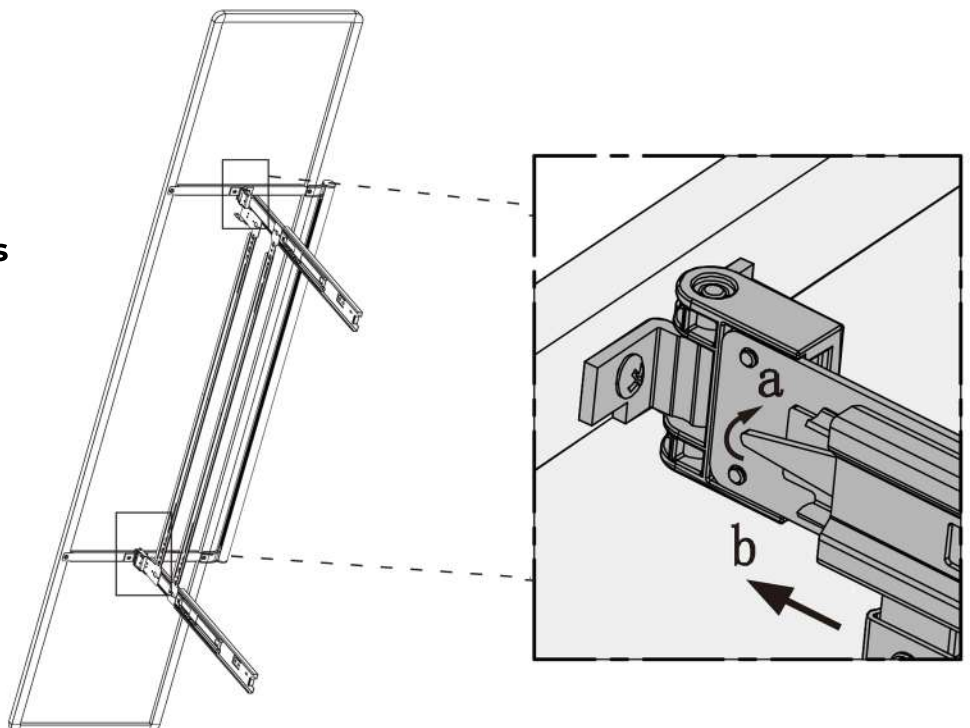
Cabinet Requirements

This manual shows instructions for left-side installation. Right-side mounting is similar but on the opposite side.



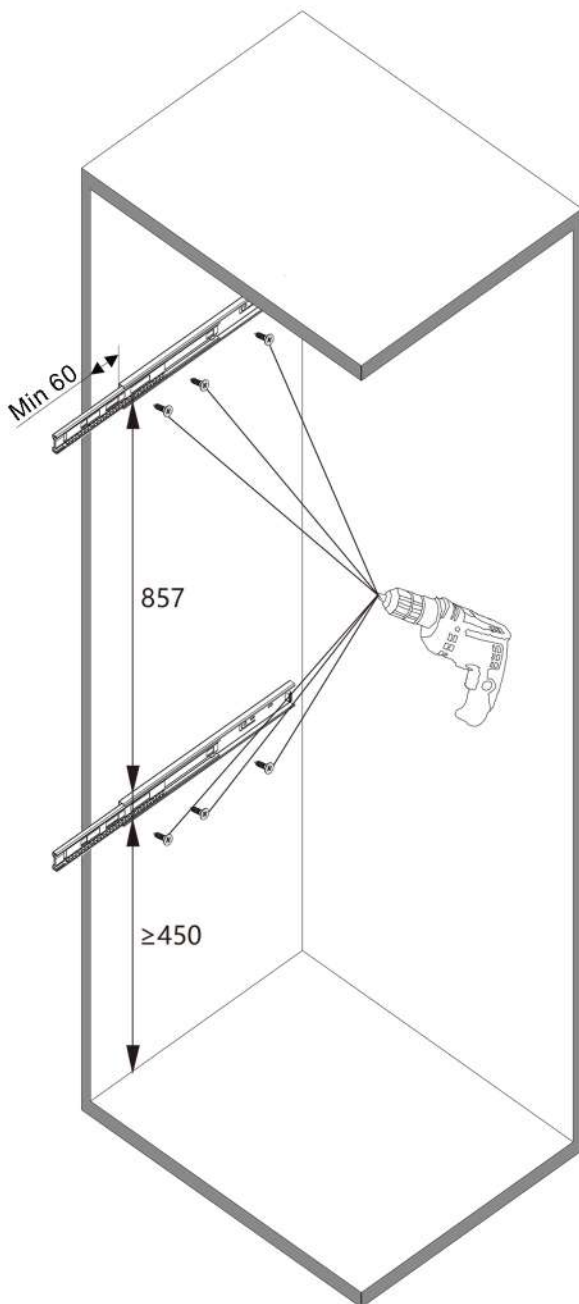
STEP 1. Detachment of Sliders

Detach the sliders from the back of the ❶ mirror by turning the locking lever clockwise and pushing the sliders inward until removed.



▶▶▶ STEP 2. Installation of Sliders

Affix the top and bottom sliders following the measurements below and using 6 pcs of **2** ST4*16 screws.



▶▶▶ STEP 3. Installation of Mirror

Slide the **1** mirror into each slider until it clicks into place. *Installation complete.*

