







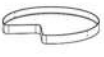




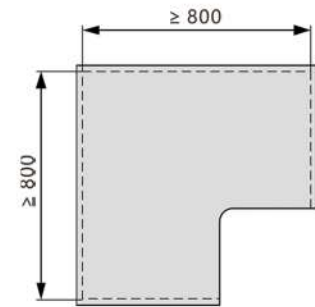


HG-706202-2353, HG-706202S-2356

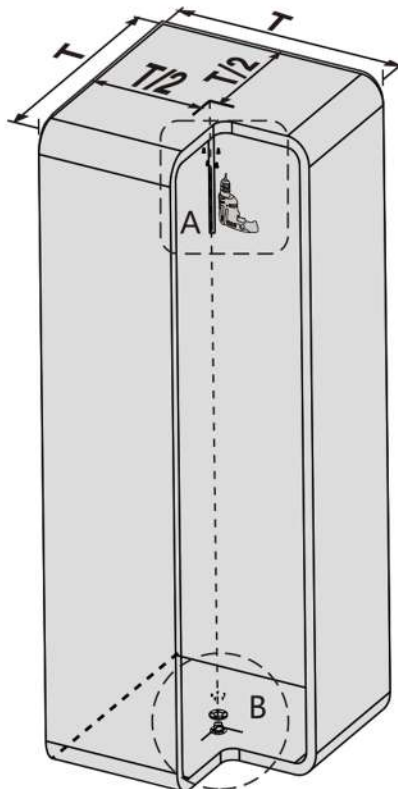
Accessories			
 X1	 X1	 X10	 X2
 X1	 X1	 X1	 X1
 X1	 X4	 X2	 X1
 X8			



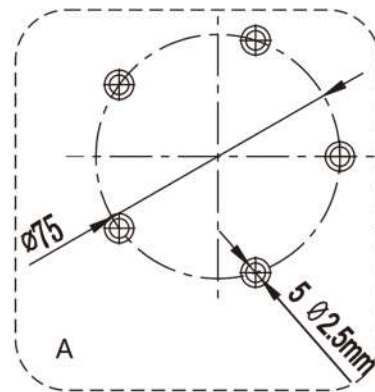
Item number	Cabinet (mm)	Product size (mm)
706202 / 706202S	≥ 800	700*650* (1850-2000)

### Installation of Central Pole

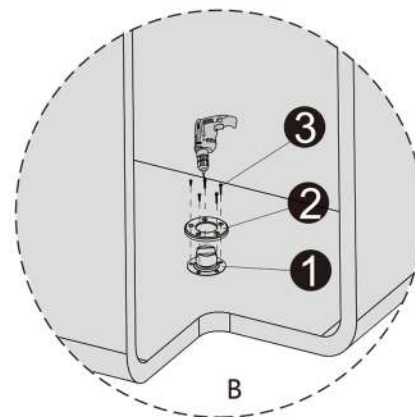
**Notice:** the locating center of rotating parts and adjustable pipe is the intersection point of T/2 in cabinet length and width.



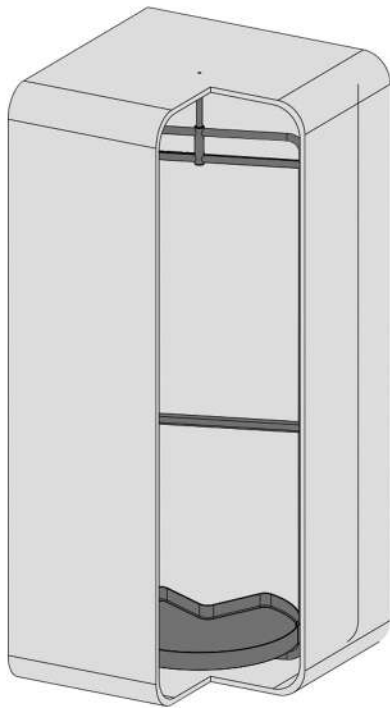
**1.1** Pre-drill for the top mounting part as illustrated below



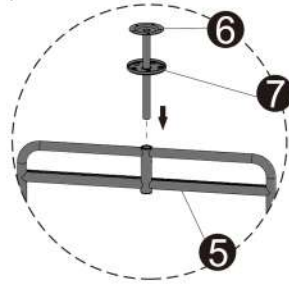
**1.2** After the base is aligned with the holes of cover cap, secure the base with screws



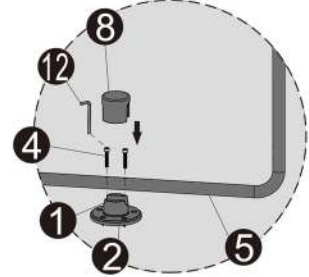
### ►► Installation of Rack Unit



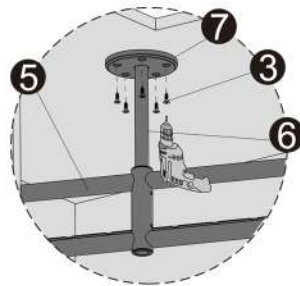
**2.1** Assemble part ⑥, ⑦ and ⑤ accordingly as per below illustration



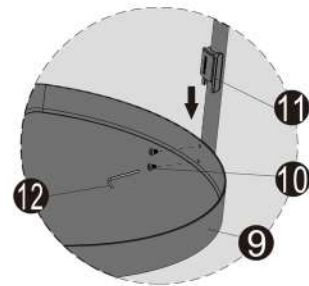
**2.2** Align holes of the frame ⑤ with holes of the rotating parts ①, and secure them with screw. After fastening, cover with part ⑧



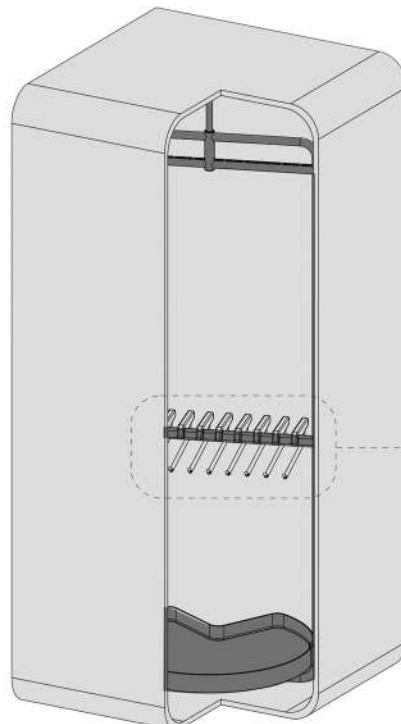
**2.3** Screw and fasten the top adjustable part as well



**2.4** Screw and fasten the lower tray ⑨ with screws. Cover the screw work with part ⑪



### ►► Parts Assembly



The unit comes with 8x trouser hangers to place on the middle rail.

