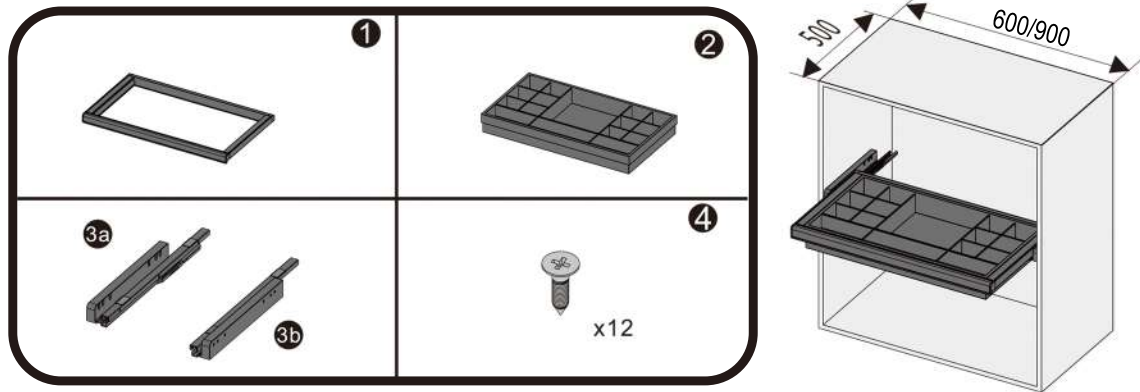


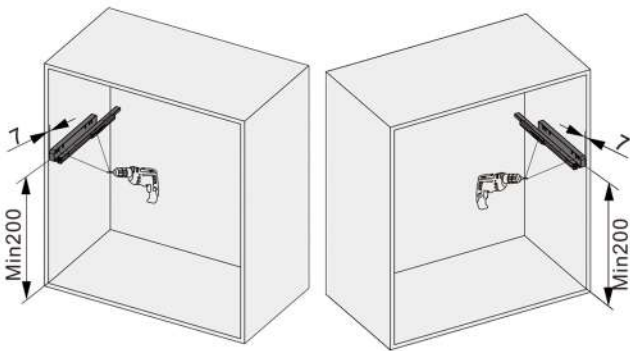
HG-706001-2698 (for 600mm), HG-706011S-2707 (for 600mm)  
HG-706014-2110 (for 900mm), HG-706014S-2349 (for 900mm)

### Parts List



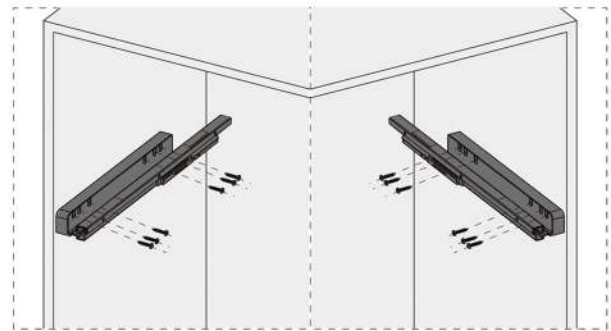
### Illustration for Drilling

- 1 Drill 12 holes with  $\varnothing$  of 2.5mm each side.

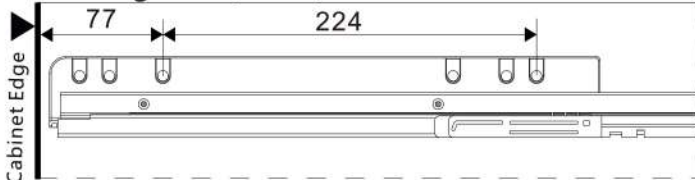


### Slider Installation

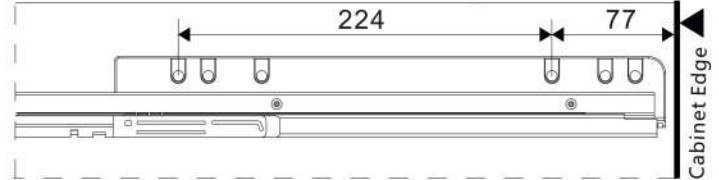
- 2 Affix the left and right sliders using 12pcs of screws.



### Drilling size ( Left )

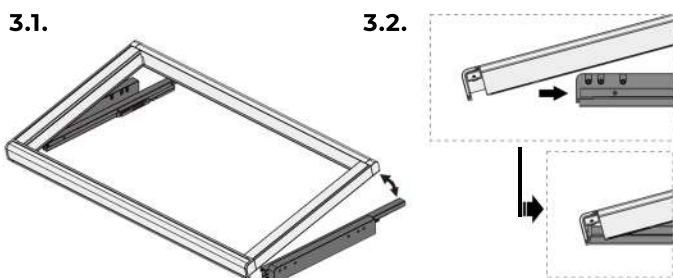


### Drilling size ( Right )



### Frame Assembly

- 3 Hold the frame at the illustrated angle (3.1) and push to the sliders (3.2).



### Tray Assembly

- 4 Place the storage tray inside the frame.

