

HG-706051-2703 (for 600mm), HG-706051S-2712 (for 600mm)
HG-706054-2114 (for 900mm), HG-706054S-2352 (for 900mm)

Parts List

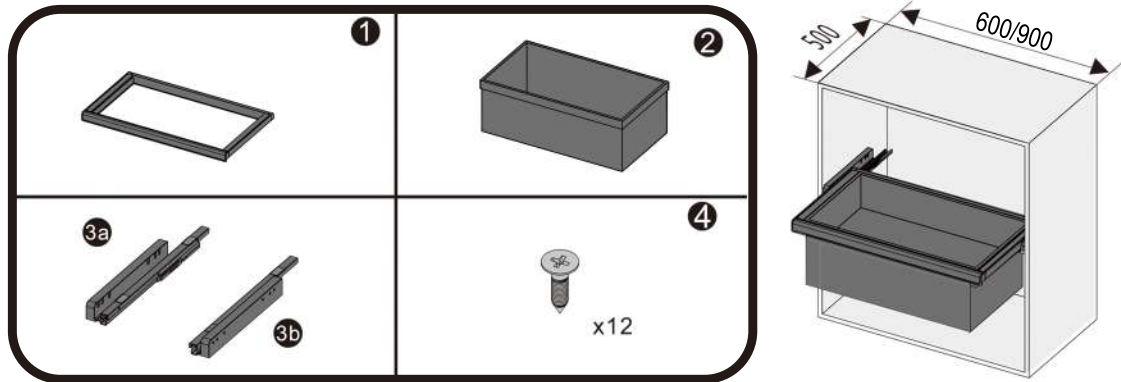
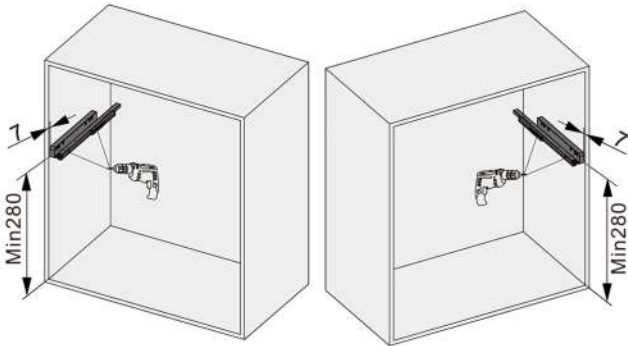


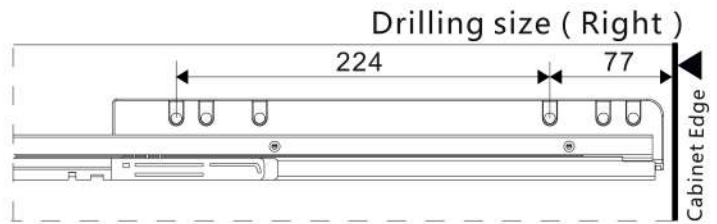
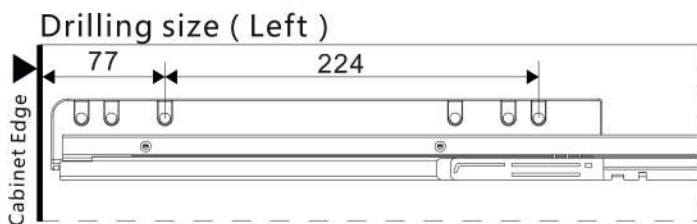
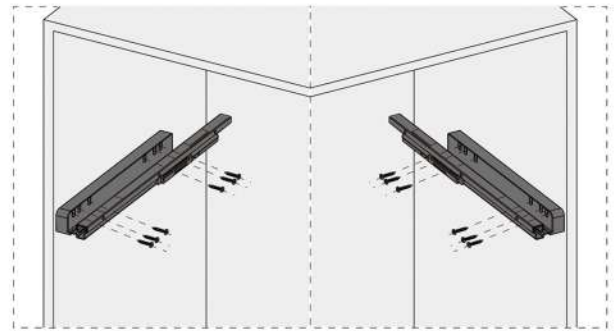
Illustration for Drilling

- 1 Drill 12 holes with \varnothing of 2.5mm each side.



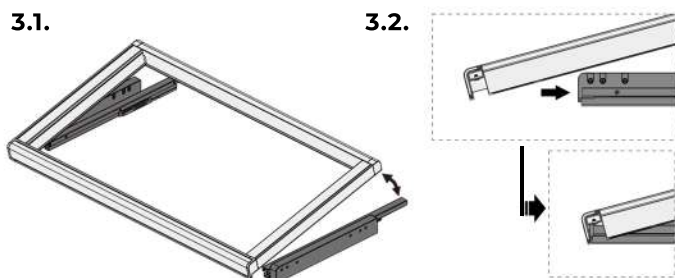
Slider Installation

- 2 Affix the left and right sliders using 12pcs of screws.



Frame Assembly

- 3 Hold the frame at the illustrated angle (3.1) and push to the sliders (3.2).



Tray Assembly

- 4 Place the storage tray inside the frame.

