

HG-706021-2700 (for 600mm), HG-706021S-2708 (for 600mm)
HG-706024-2111 (for 900mm), HG-706024S-2350 (for 900mm)

Parts List

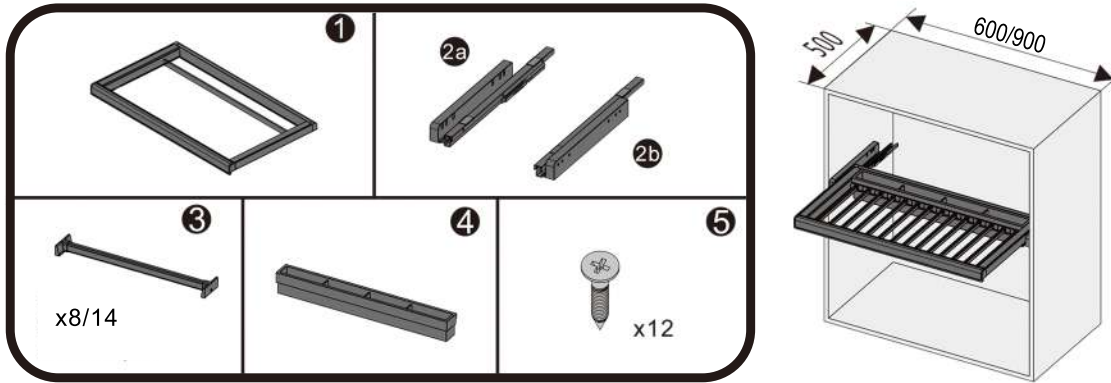
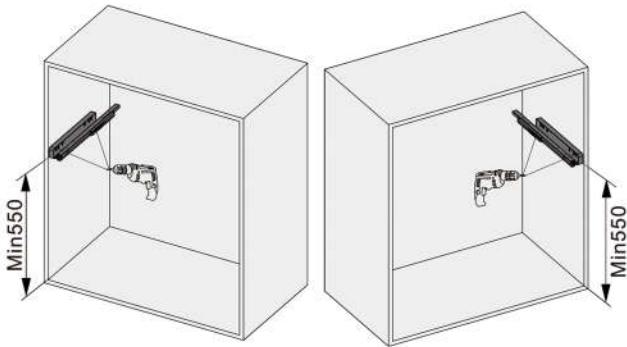


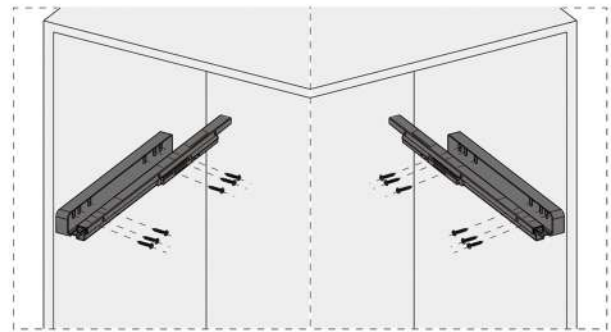
Illustration for Drilling

- 1 Drill 12 holes with \varnothing of 2.5mm each side.

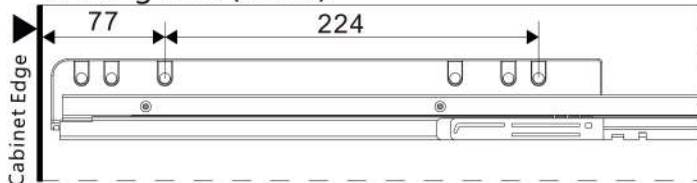


Slider Installation

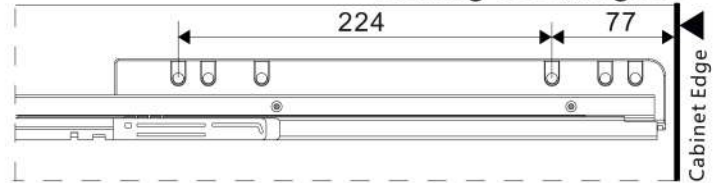
- 2 Affix the left and right sliders using 12pcs of screws.



Drilling size (Left)

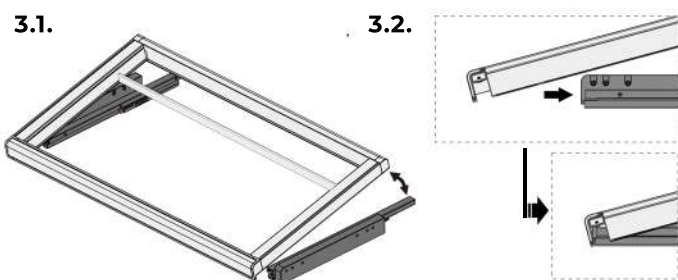


Drilling size (Right)



Frame Assembly

- 3 Hold the frame at the illustrated angle (3.1) and push to the sliders (3.2).



Rack Assembly

- 4 Install the rods and place the belt storage tray.

