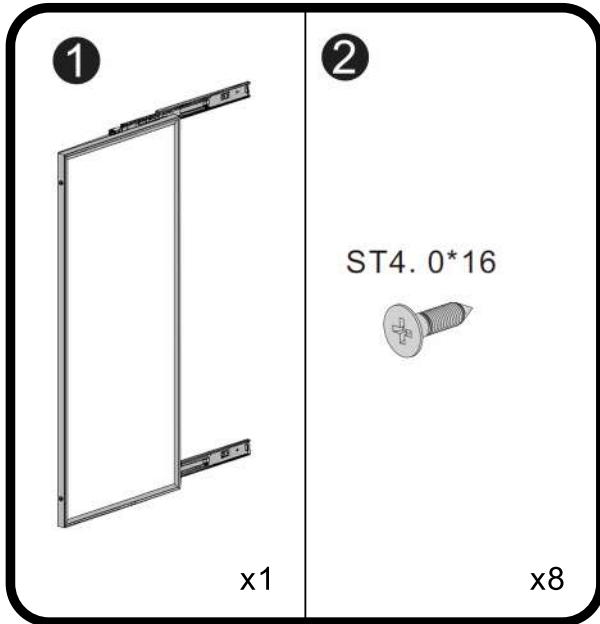
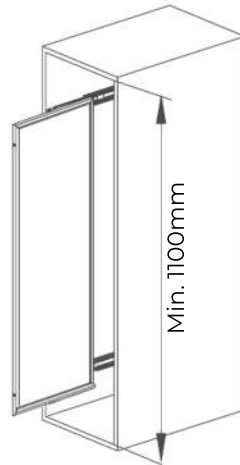


Parts List

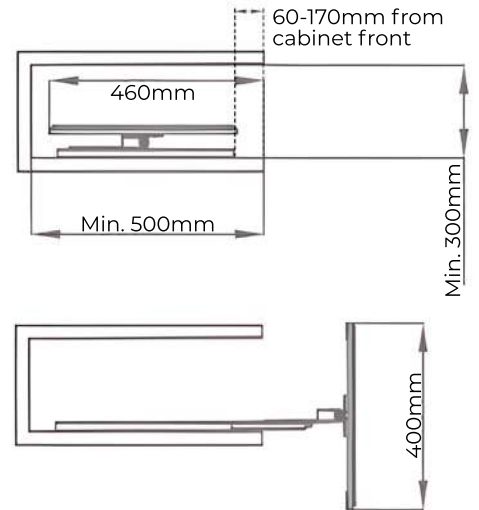


**Cabinet Requirements**

This manual shows instructions for left-side installation. Right-side mounting is similar but on the opposite side.

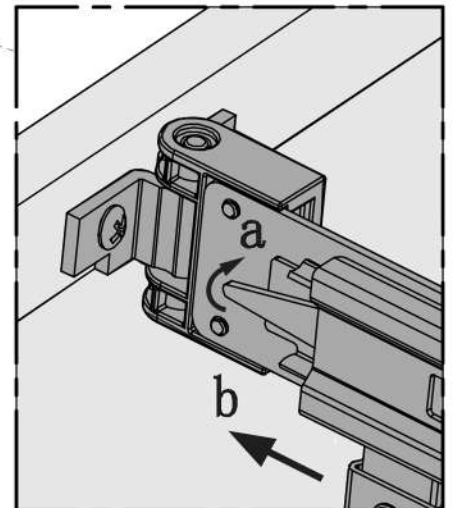
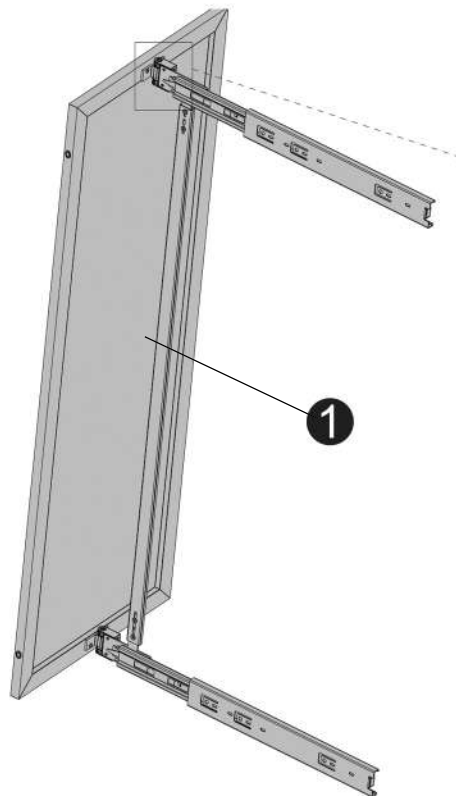


TOP VIEW



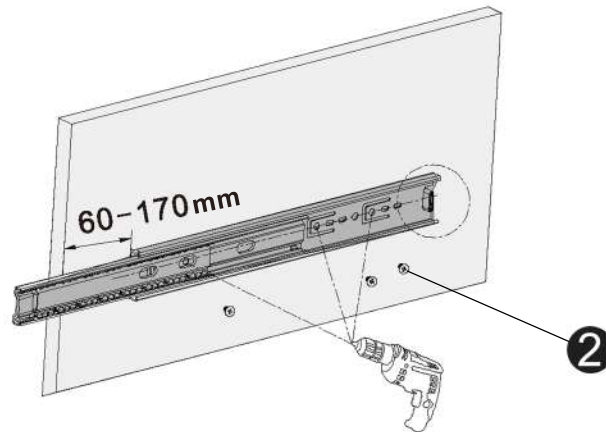
▶▶ **STEP 1.**  
**Detachment of Sliders**

Detach the sliders from the back of the mirror by (a) turning the locking lever clockwise and (b) pushing the sliders inward until removed.



### ▶▶▶ STEP 2. Installation of Sliders

Affix the top and bottom sliders following the measurements below using 6 pcs of **2** ST4.0\*16 screws on each slider.



### ▶▶▶ STEP 3. Installation of Mirror

Insert and slide in the **1** mirror on the top and bottom sliders. *Installation complete.*

