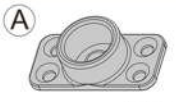







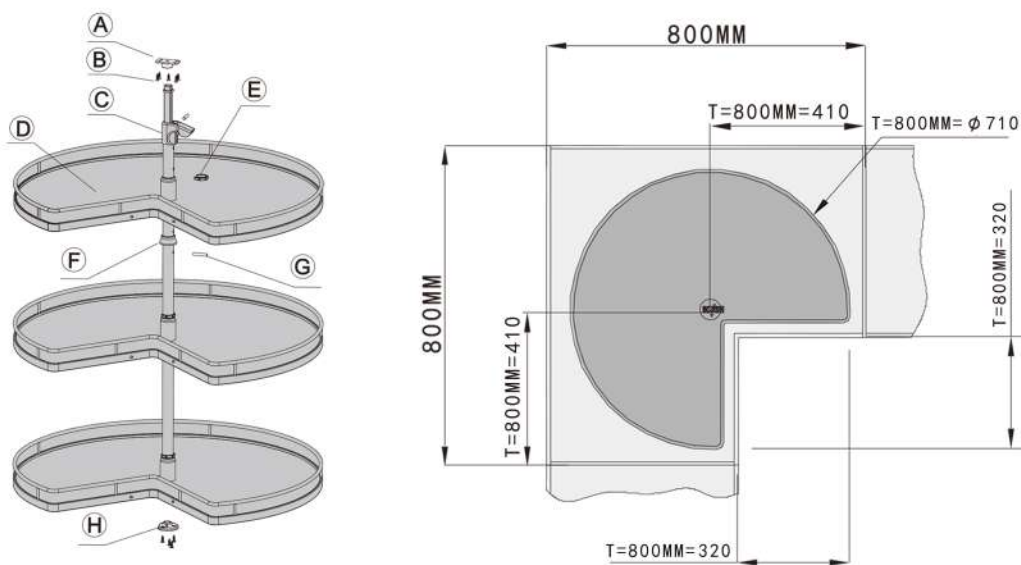


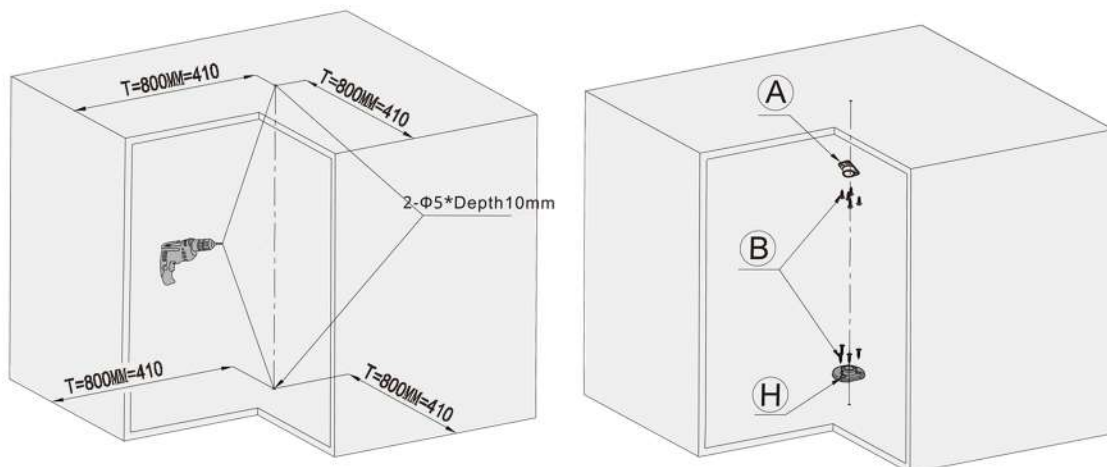
HG-703533-2355, HG-703533S-2362

External Cabinet Width		Unit Dimensions		Details of Accessories			
800 mm		ø 710*H (900-1100)				1PCS	10 PCS
						1PCS	3PCS
						3PCS	1PCS



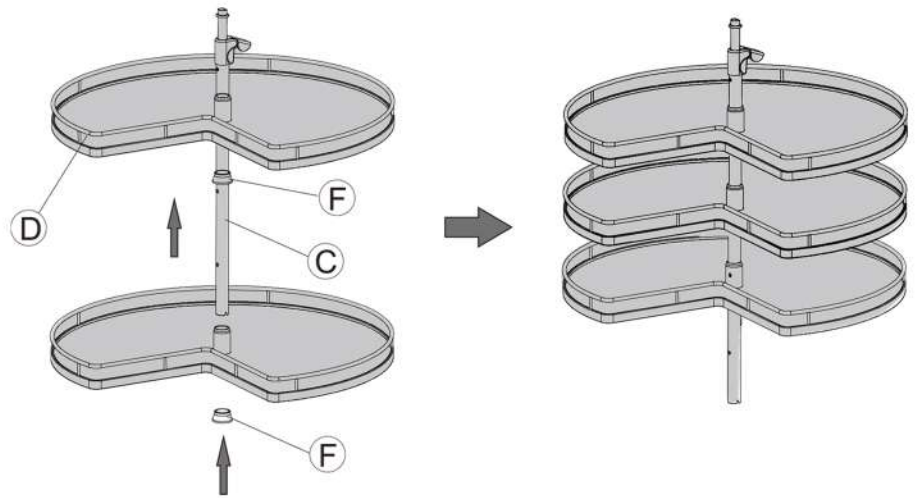
Bracket Installation

- 1 Drill holes on the cabinet floor and ceiling. Then affix the top and bottom brackets using 5x screws on each.



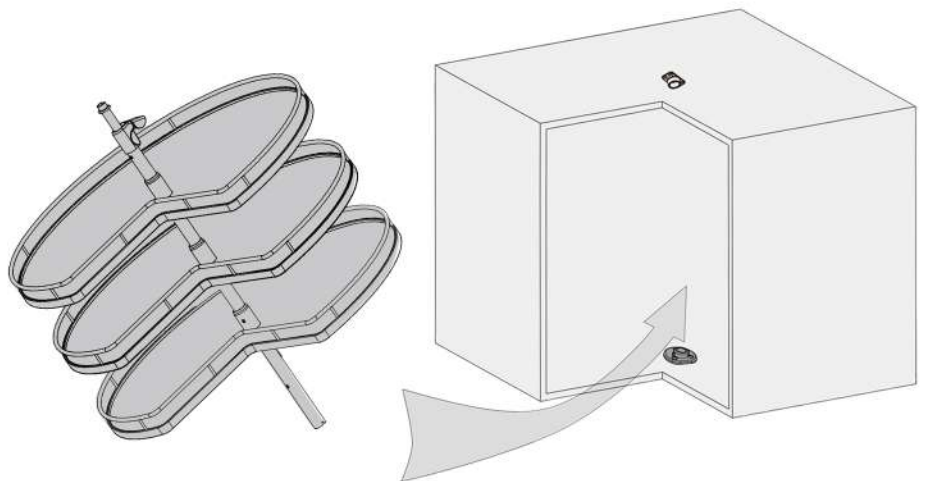
▶▶▶ Tray and Pole Assembly

- 2 Insert each tray into the pole and place according to your preferred height. Lock the trays with the part F brackets.



▶▶▶ Unit Installation

- 3 Tilt the tray unit at the illustrated angle and install by fixing the bottom part first inside the cabinet. Height of the pole can be adjusted while already inside the cabinet by configuring its locking part.



Insert and secure the additional mechanism parts in place to complete the installation.

