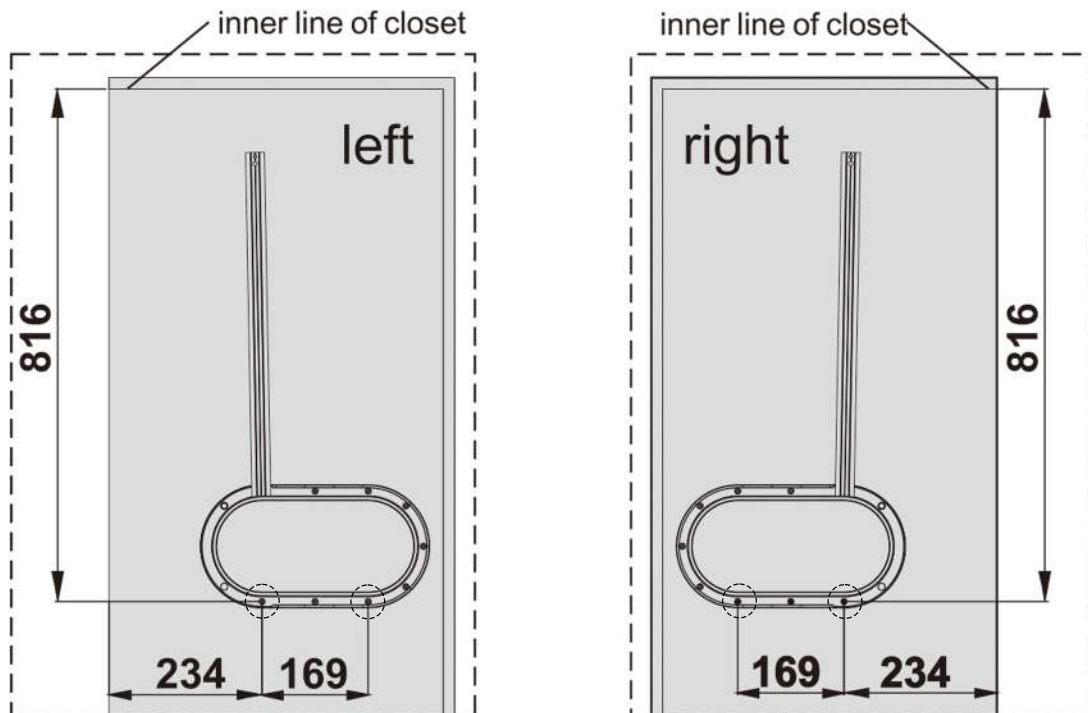


Product Width	864-1064mm
Pull Down Angle	90 degrees
Cabinet Depth	Min. 580mm (internal)
Cabinet Height	Min. 830mm (internal)
Cabinet Width	Fits 900-1100mm (external)

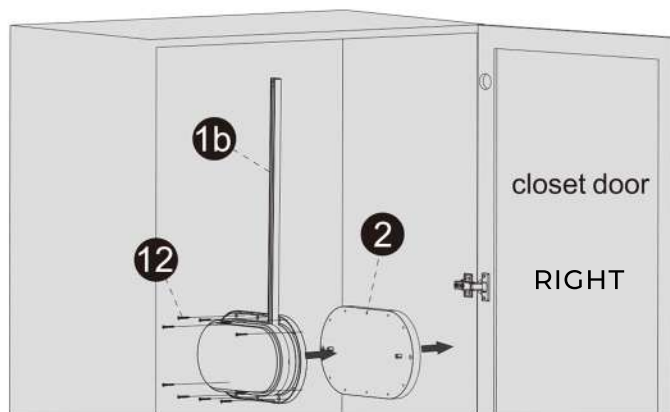
Illustration for Drilling

1. Drill 2x \varnothing 2.5mm holes on each side wall of the cabinet as illustrated below.



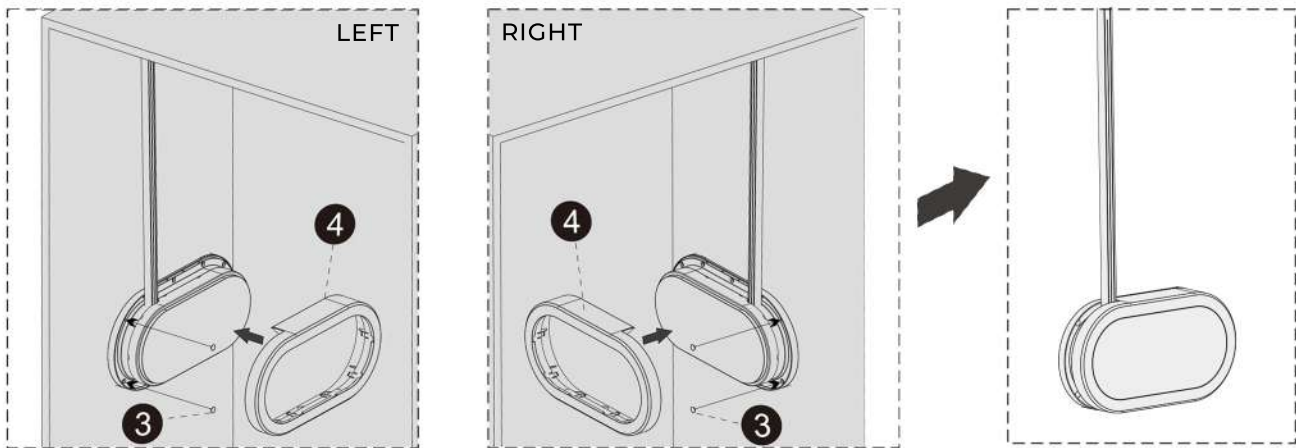
►► Installation of Mechanism Unit

- 2.1. Affix the **2** mechanical boxes onto the cabinet wall using 10 pcs of **11** ST 3.5*16 screws. Note: For cabinets with hinged doors, it is recommended to install the doors first.
- 2.2. Place parts **1a** and **1b** on top of each mechanical box, and fasten using 10 pcs of **12** ST4*40 screws.



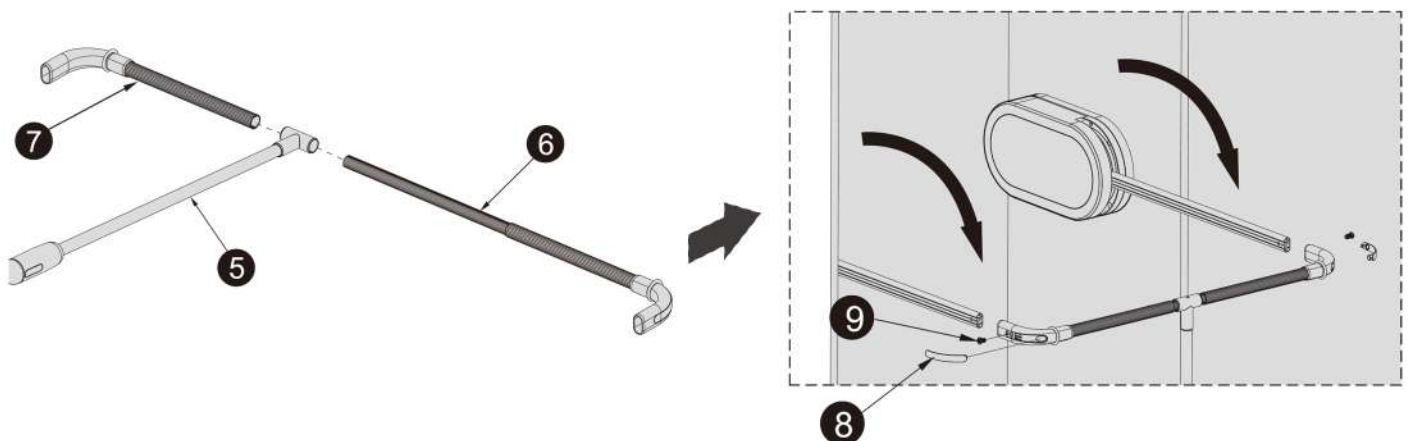
▶▶▶ Installation of Mechanism Frame

3. Fasten 2 pcs of part **3** on each side of the unit and place the **4** mechanism box covers.



▶▶▶ Installation of Metal Bars

4. Connect the **5** **6** **7** metal bars together as illustrated below. Pull down the mechanism unit and attach the assembled metal bar with 2 pcs of **9** ST4.2*14 screws. Then, place the **8** decorative covers.



▶▶▶ Final Step

5. Secure the **5** T-shaped handle onto the metal bar by fastening the pre-affixed **10** ST2.9*12 screw. *Installation complete.*

