

Under-Mount Sink Installation Instructions

Follow these instructions if you are under mounting your sink

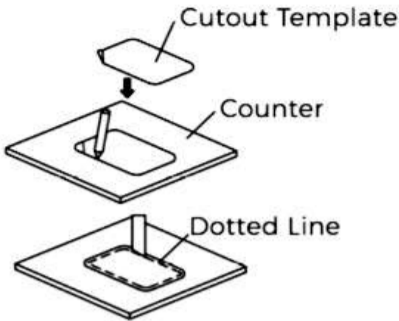
NOTE — All Higold under-mount granite sink installations use these instructions. Therefore, images may differ from your sink model. Ensure your sink is in perfect condition before installation.

Installation components

	Description	Quantity
A	Composite sink	1
B	Box of hole plugs, anchor clips, and bolts	1

Step 1 – Preparing Benchtop

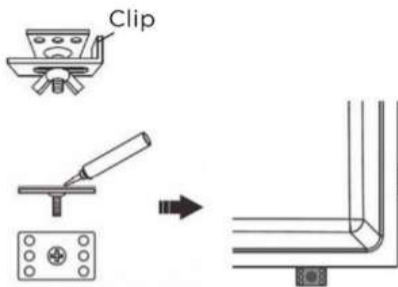
A template is provided or you can create one



Cut hole in benchtop as per above. Match bench hole corner style to sink, i.e. rounded corners for round cornered sink

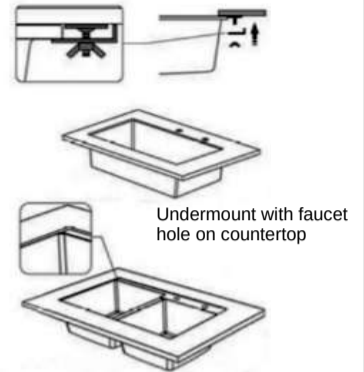
Step 2 – Prepare mounting holes

Apply adhesive sealant to the clip plate and paste the clip plate underneath the benchtop



Step 3 – Affix Sink Under Bench

Position sink under the bench in line with the hole and then fasten the clip screw



Undermount without faucet hole on countertop (Provide a gap between the sink and bench to accommodate the tapholes)

Top-Mount or Flush-Mount Sink Installation Instructions

Follow these instructions if you are top-mounting your Higold sink into a bench.

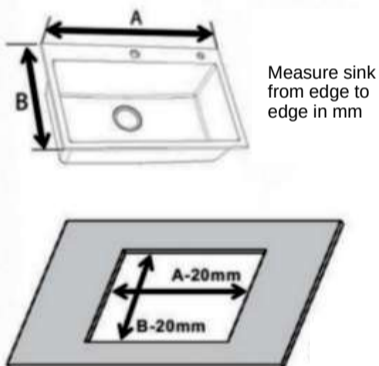
NOTE — All Higold top-mount granite sink installations use these instructions. Therefore, images may differ from your sink model. Ensure your sink is in perfect condition before installation.

Installation components

	Description	Quantity
A	Composite sink	1
B	Box of installation anchor clips	1

Step 1 – Preparing Benchtop

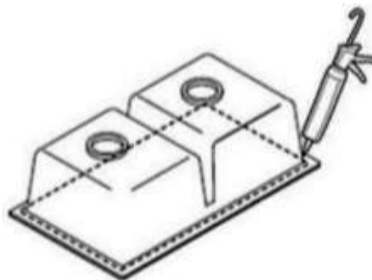
A template is provided or you can create one



Cut hole in benchtop

Step 2 – Apply adhesive sealant

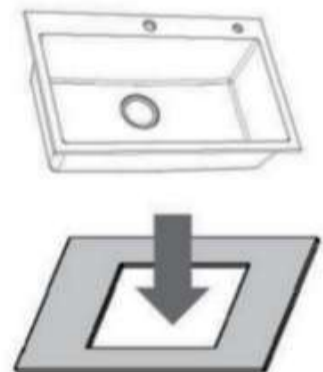
Clean around the edge of the benchtop sink hole and sink rim. Apply adhesive sealant to the underside of the sink rim. (Ensure that the sink edges are completely dry before applying the adhesive sealant)



Apply adhesive sealant

Step 3 – Affix Sink

Insert sink into the bench hole and wipe away any excess adhesive sealant around the sink rim

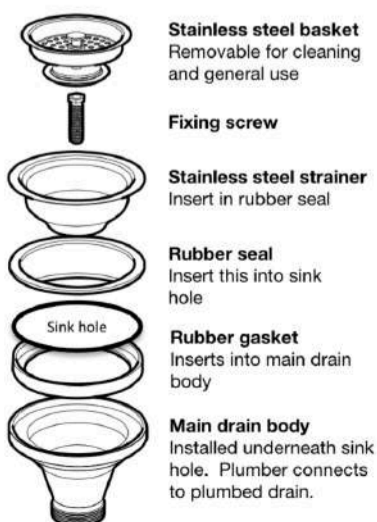


Insert sink in the bench hole

Waste/Strainer Installation Instructions

Care Instructions Important regular care

Your strainer should be installed by a licensed plumber. Use the screw to tighten the main drain body (from underneath sink) and the stainless steel strainer (from above the sink) into place. Sealants are not required. Install the basket on top of the strainer.



Higold sinks are engineered with premium materials and patented technology for durability

Stainless steel sinks are hand-made with genuine 304 (18/10) Stainless Steel offering optimum hygiene and durability. Nano coated models provide premium scratch resistance and act to repel liquids

Composite Granite Sinks are constructed from a patented highly dense composite formula that results in the absence of bubbles and internally uniform density and colour.

Follow these care requirements to maintain your Higold sink in top condition for years

Do

- ✓ Regularly rinse and clean with mild soap and water and wipe with a soft sponge or microfiber cloth
- ✓ Always towel dry the sink after use to prevent water spots and hard water / mineral deposits
- ✓ For stubborn stains, gently scrub with a baking soda paste or metal polish paste (Autosol/Brasso)
- ✓ For hard water stains, use a 50:50 vinegar/water solution then rinse and dry thoroughly
- ✓ For brushed stainless steel, always clean in the direction of the surface brush grain

Don't

- ✗ Do not use abrasive scrubbers such as steel wool, abrasive pads, and harsh brushes
- ✗ Do not use harsh chemicals on the surface (bleach based, ammonia based, and acidic cleaners)
- ✗ Do not allow cleaning liquids that contain chlorides to remain on the surface of stainless steel sinks
- ✗ Do not place hot pans or pots directly on nano-coated surfaces
- ✗ Do not allow acidic/salty liquids/substances (eg. vinegar, fruit juice, cola, spirits, soy sauce, tea bags) to remain on surface
- ✗ Do not allow water to pool as prolonged exposure can lead to limescale deposits
- ✗ Do not drop heavy items onto sink to prevent cracks (granite) or dents (stainless steel)
- ✗ Do not drag heavy or dirty cookware and items across sink surface to minimize scratching
- ✗ Do not cut or slice food directly on the sink surface

It is important to understand that uncoated stainless steel surfaces can still present rust, particularly if there is iron content in the water that is left on the surface. However, this can typically be easily addressed when it is only surface rust and removed using a suitable rust remover. The 304 stainless steel's natural barrier to resist rust generation will quickly reform and continue to resist rust formation.